

Specification sheet LX 482

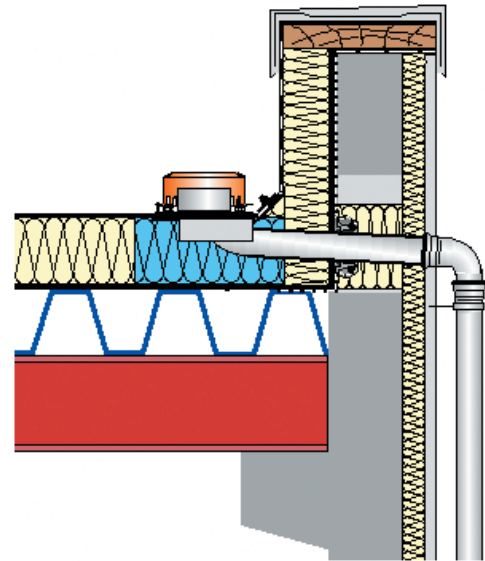
Siphonic Scupper drains
Series 79/88 RAINSTAR®

Emergency drainage

Siphonic flow

Silent Power

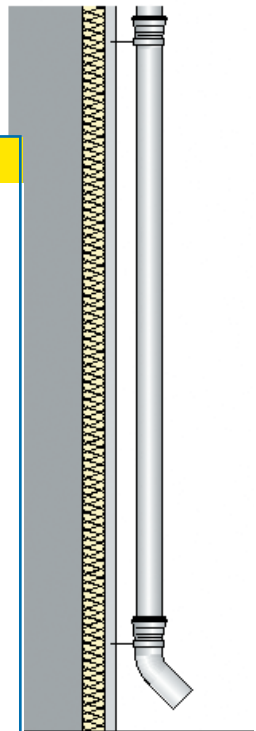
Discharge rate:	26,0 l/sec
Water height:	75 mm
Roof penetration:	106 mm
Diameter:	DN 100
LX-Number:	LX 482
Weir height:	55 mm
Drain:	not ventilated
Downpipe:	not ventilated
Downpipe height:	min 4,2 m
Drainage:	on floor
Flange form:	Clamping flange



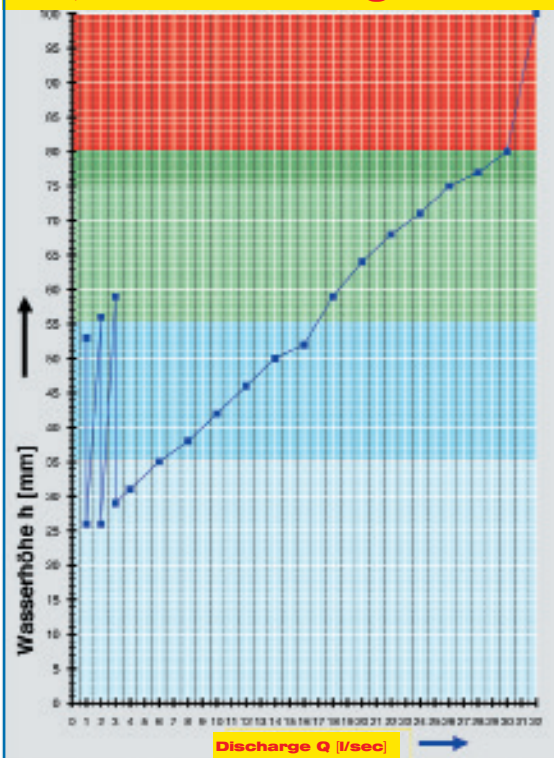
LX 482 Piece list

- 1 x Art.-No. choose drain on page two!
- 1 x Art.-No. 01401.100X, LORO-X pipe with one socket
- 1 x Art.-No. 00300.100X, LORO-X bend
- 1 x Art.-No. 01011.100X, LORO-X pipe with one socket
- 1 x Art.-No. 00320.100X, LORO-X bend
- 4 x Art.-No. 00911.100X, LORO-X sealing elements

- 2 x Art.-No. 00975.100X, LORO-X pipe clips
- 1 x Art.-No. 00986.000X, LORO-X lubricant
- 1 x Art.-No. 13235.100X, LORO-X sliding flange
- 4 x Art.-No. 00806.100X, LORO-X anchor clips
- 2 x Art.-No. 09604.200X, LORO-X hanger bolts

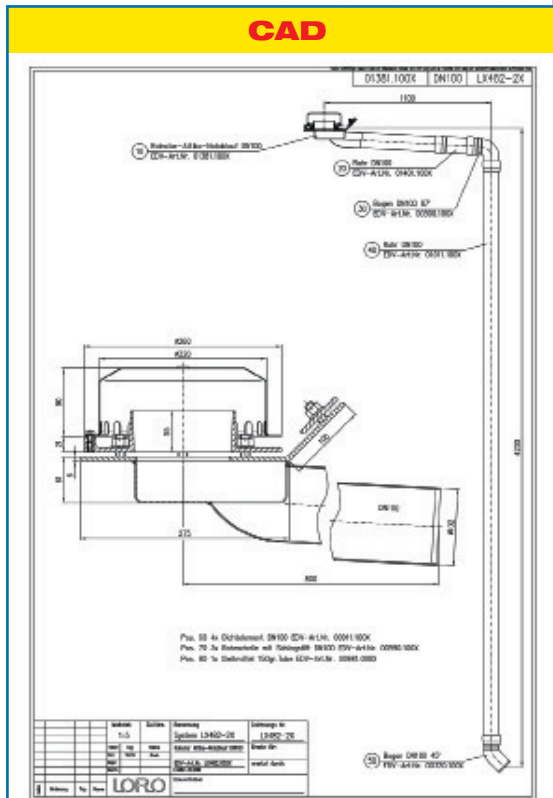


hQ - Head-Discharge curve



Systempower

CAD



Systemshape

Water height	mm	5	10	15	20	25	30	35	40	45	50	55	60	65	70	75
Discharge	l/sec						3,0	6,0	9,0	12,0	14,0	17,0	18,0	20,0	24,0	26,0
							Silent Power				Power					

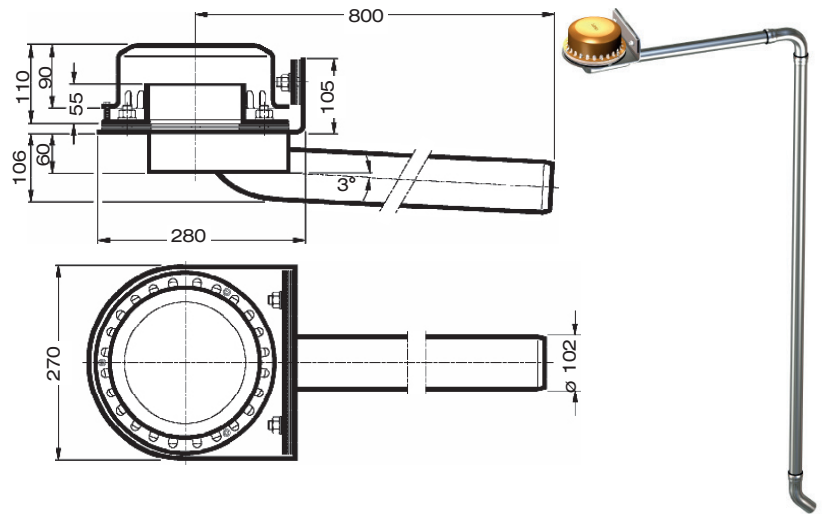
Choose drain for piece list on page one!

DN 100

LX482-1X

Drain Art.-No. 01383.100X
Weight: 6,8 kg

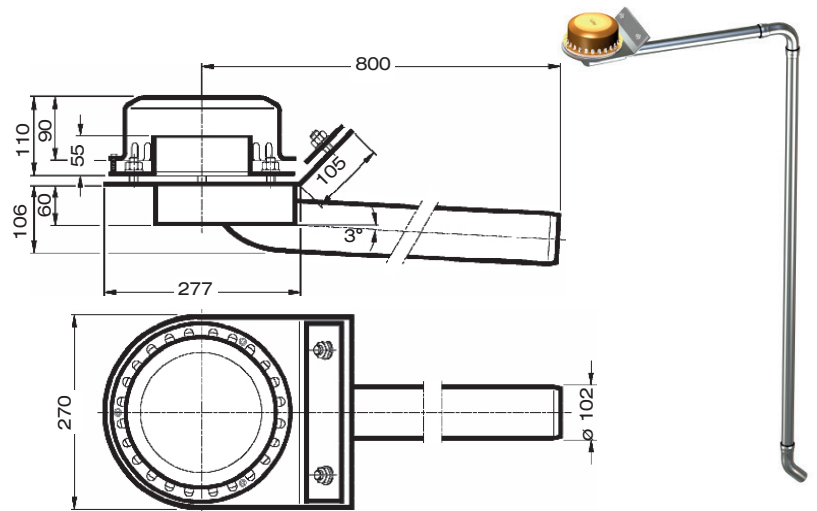
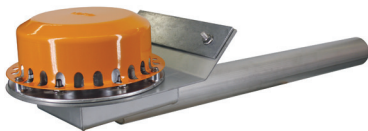
Series 79 (RD)
clamping flange 90°
for plastic roofing sheets



LX482-2X

Drain Art.-No. 01381.100X
Weight: 6,8 kg

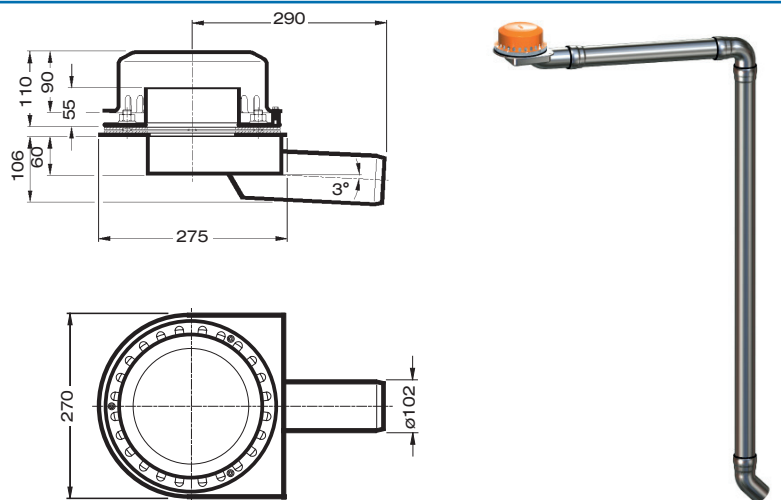
Series 79 (RD)
clamping flange 45°
for bituminous roofing sheets



LX482-4X

Drain Art.-No. 01393.100X
Weight: 6,2 kg

Series 88
clamping flange
without raised edge
for bituminous and plastic roofing sheets



Please note:

For drainage systems with siphonic flow it is vital that only LORO-X pipes and fittings in the combination as indicated are used. Mixture or exchange of system parts may result in lower discharge capacities! The height of the downpipe must be a min. 4.2m for the indicated capacity to be obtained. If roof drain and downpipe are fitted by different crews, then do follow the system setup acc. to the LX-data sheet at www.loro-x.com
Heat tracing: Lorowerk recommends to check all drains and pipes with regard to their frost-sensibility. Where necessary, these parts should be upgraded with heat tracing.